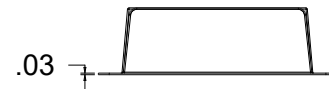
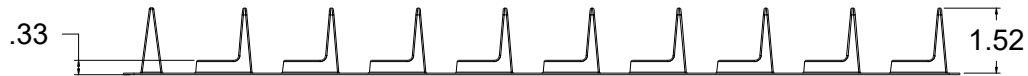
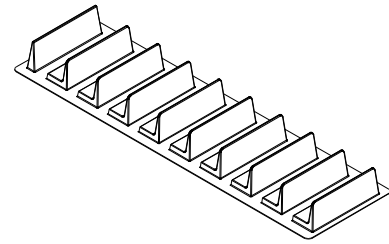
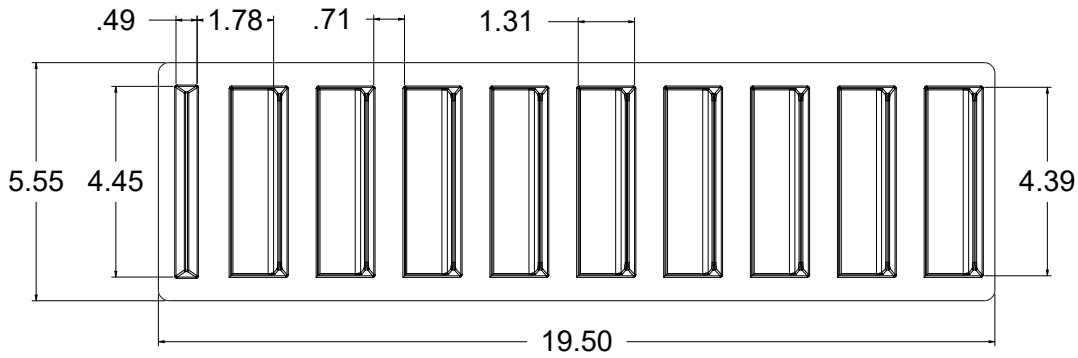


ZONE		REV	DESCRIPTION	DATE	APPROVED



<https://ecplastictrays.com/>

NOTE: Merchandising Tray was originally used for Burritos, but is a universal tray with 5.5" width.

MATL:

UNLESS OTHERWISE SPECIFIED  
DIMENSIONS ARE IN INCHES  
DECIMAL TOLERANCES ARE:  
2PL ± 3PL ± ANG ± 1°

DRAWN	DATE	ECP Tray	
CHECKED	UPDATED		
CR		Part # 203M-Tray	
MFG		SIZE	FSCMO. DIVSNO.
APPROVED		D	
		SCALE	SHEET

**WARNING:** All drawings are property of PN Products Inc., have copyright protection, and are the sole property of PN Products Inc. Drawings and specifications are issued in strict confidence and shall not be reproduced, copied or used for manufacture or sale of equipment or tooling without prior written permission.