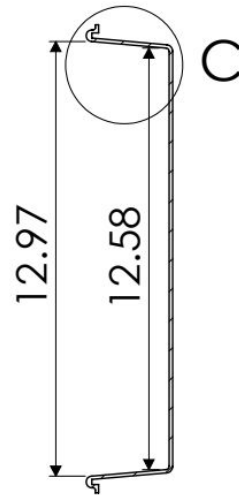
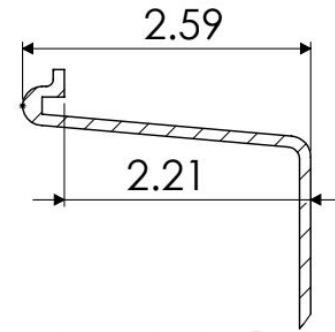


SECTION B-B



SECTION A-A



DETAIL C
SCALE 1 : 1.5

